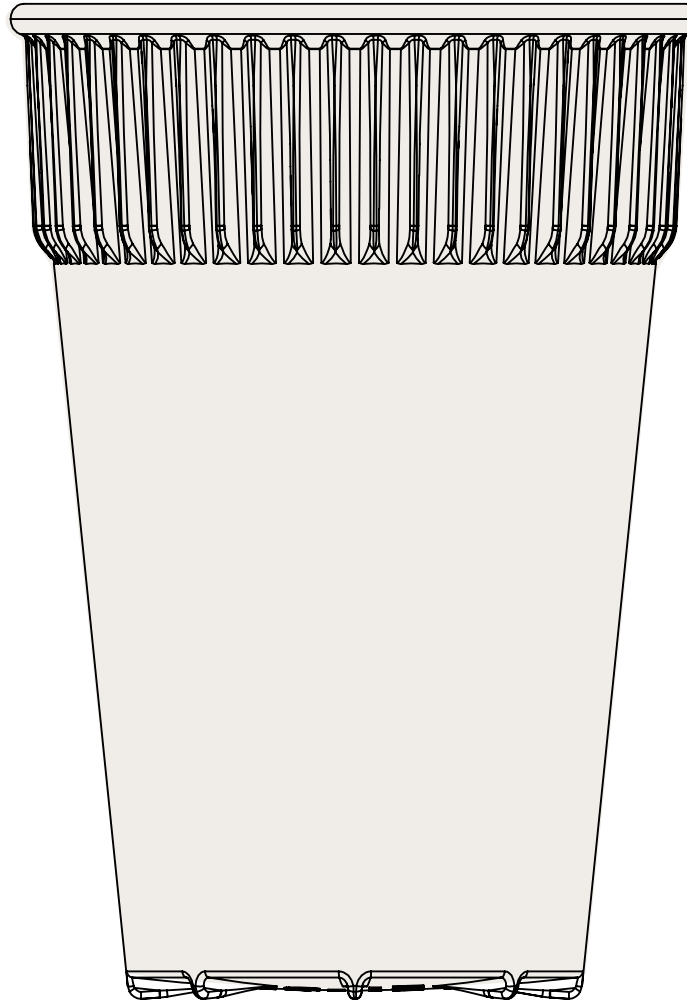


date:

print size: 214×46 mm

colour specification:

0,4 l



1:1

Outlines, lines, text or lettering printed on rotary screen print machines without the use of a backing colour with thickness under 1mm may result in reduced resistance to mechanical and chemical damage. For this reason, we recommend creating graphic documents with this minimum specified thickness for rotary screen printing.

NICKNACK does not guarantee the resistance to mechanical and chemical damage of graphics if lines, outlines or lettering are narrower than 1mm.

I **agree** with this preview **disagree** (mark changes into the picture)

date:

signature:

PRINT PREVIEW

NICKNACK

date:

print size: 214×46 mm

colour specification:

printable area: 214×46 mm
(place your logo here in real size 1:1)



0,4 l

1:1

Outlines, lines, text or lettering printed on rotary screen print machines without the use of a backing colour with thickness under 1mm may result in reduced resistance to mechanical and chemical damage. For this reason, we recommend creating graphic documents with this minimum specified thickness for rotary screen printing.

NICKNACK does not guarantee the resistance to mechanical and chemical damage of graphics if lines, outlines or lettering are narrower than 1mm.

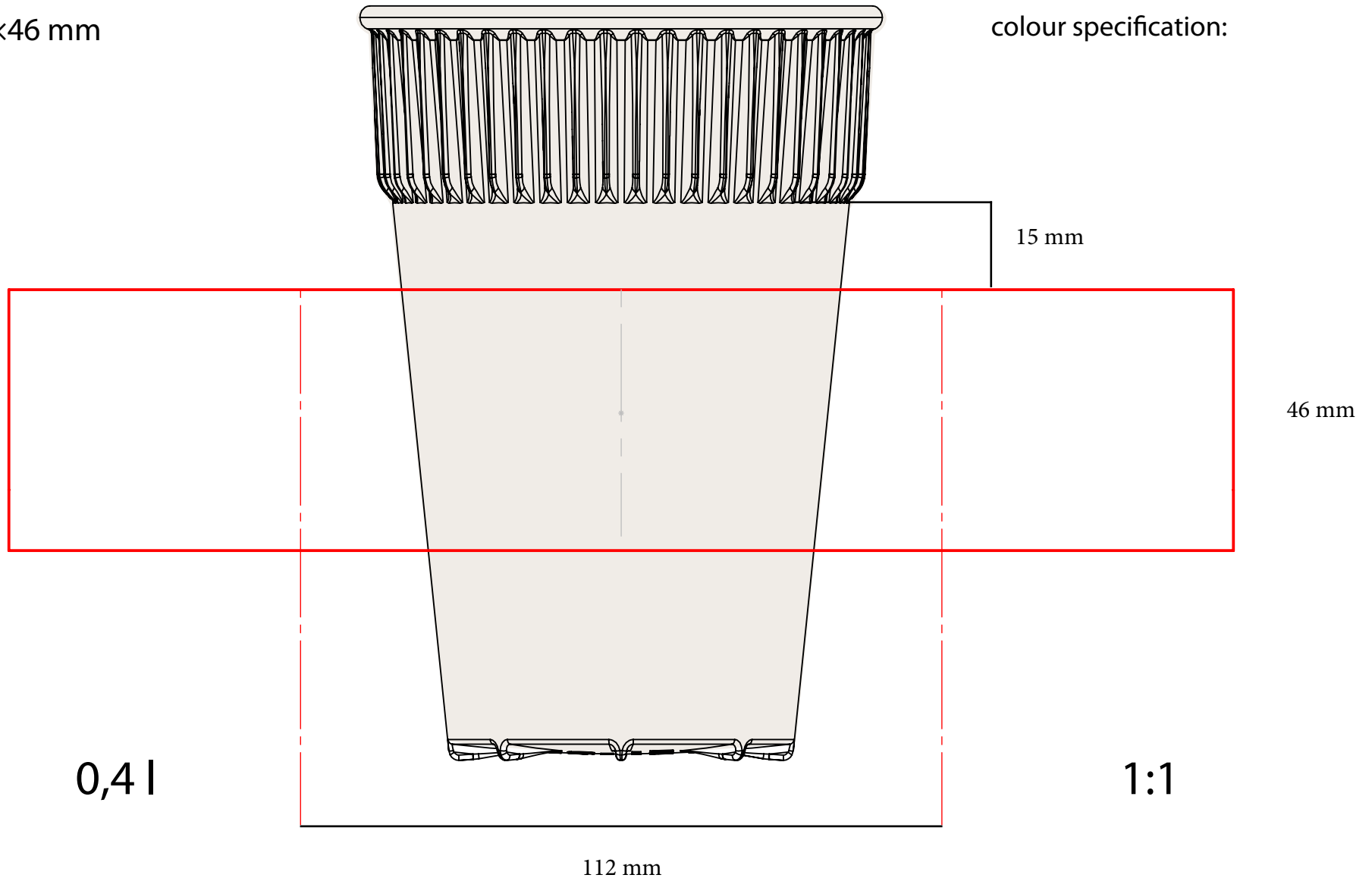
I **agree** with this preview **disagree** (mark changes into the picture)

date:

signature:

print size: 214×46 mm

colour specification:



0,4 l

1:1

112 mm

the distance between centers
of the opposite logos